

Project Name: \_\_\_\_\_  
 Location: \_\_\_\_\_  
 Engineer: \_\_\_\_\_  
 Submitted to: \_\_\_\_\_  
 Submitted by: \_\_\_\_\_  
 Reference: \_\_\_\_\_

Approval: \_\_\_\_\_  
 Date: \_\_\_\_\_  
 Construction: \_\_\_\_\_  
 Unit #: \_\_\_\_\_  
 Drawing #: \_\_\_\_\_

### **Performance**

<i>Indoor Unit Model No:</i>	FXFQ18PVJU
<i>Cooling Capacity (Btu/hr):</i>	18000
<i>Sensible Capacity (Btu/hr):</i>	14100
<i>Cooling Input Power (kW):</i>	0.056
<i>Heating Capacity (Btu/hr):</i>	20000
<i>Heating Input Power (kW):</i>	0.042
<i>Nominal Ext Static Pressure (inH2O):</i>	0
<i>Max Ext Static Pressure (inH2O):</i>	0

<i>Indoor Unit Type:</i>	Round Flow Cassette
<i>Cooling Nominal Conditions</i>	Indoor: 80°F DB/67°F WB Outdoor: 95°F DB
<i>Heating Nominal Conditions</i>	Indoor: 70°F DB Outdoor: 47°F DB/43°F WB
<i>Nominal Piping Length</i>	25
<i>Nominal Height Separation</i>	0

### **Indoor Unit Details**

<i>Power Supply (V/Hz/Ph):</i>	208-230/60/1ph
<i>Power Supply Connections:</i>	L1, L2, Ground
<i>Min. Circuit Amps MCA (A):</i>	0.4
<i>Max. Fusible Amps MFA (A):</i>	15
<i>Dimensions (HxWxD):</i>	9-11/16x33-1/16x33-1/16
<i>Panel (HxWxD):</i>	2x37-3/8x37-3/8
<i>Net Weight (lbs):</i>	43
<i>Weight with Panel (lbs):</i>	55.2

<i>Airflow Rate (CFM wet coil)</i>	560/470/390
<i>Moisture Removal (pt/h):</i>	
<i>Gas Pipe Connection (inch):</i>	1/2
<i>Liquid Pipe Connection (inch):</i>	1/4
<i>Condensate Connection (inch):</i>	1-1/4
<i>Sound Pressure Level (dBA):</i>	32
<i>Sound Power Level (dBA):</i>	

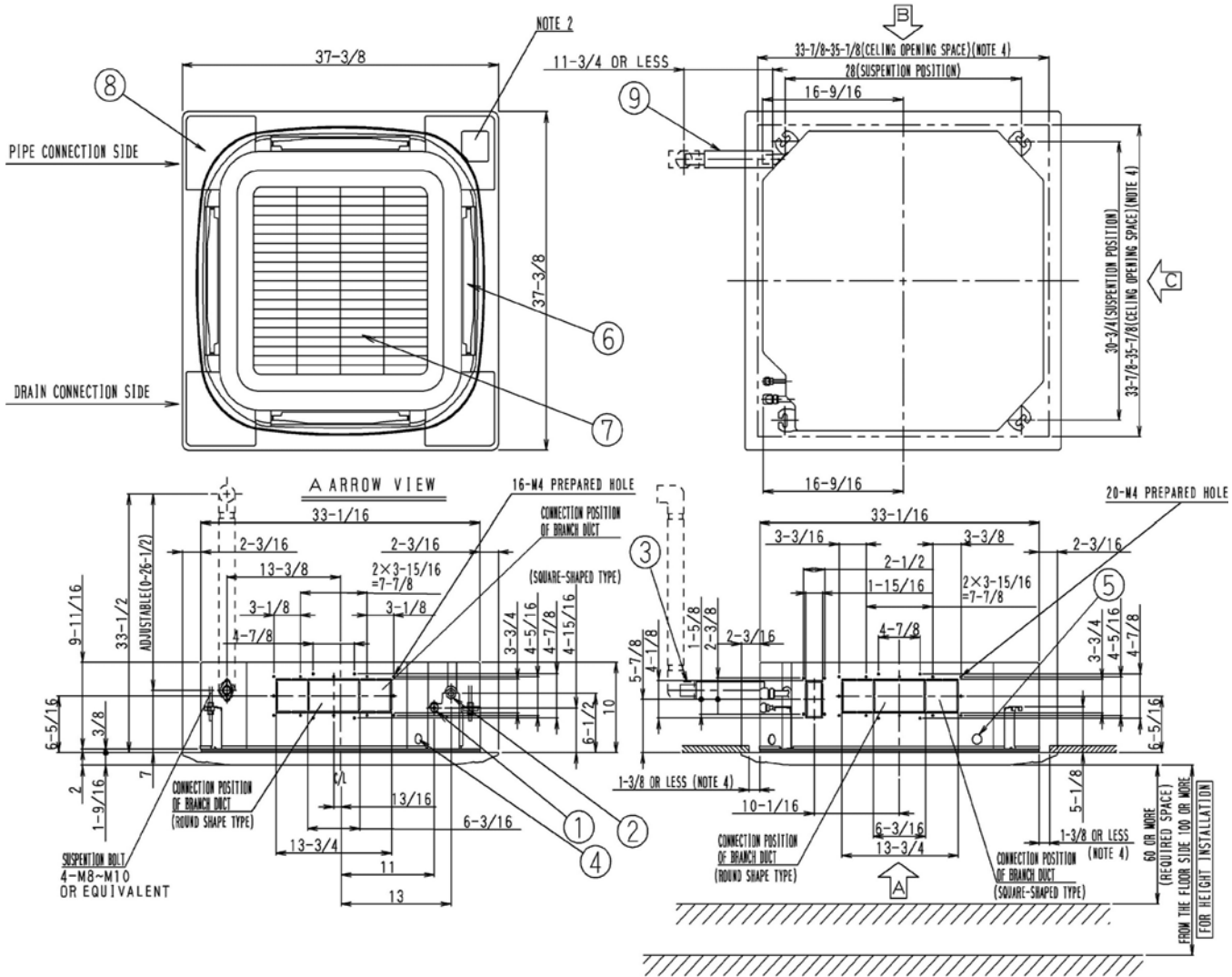
### **Appearance - Indoor Unit**



Project Name: \_\_\_\_\_  
 Location: \_\_\_\_\_  
 Engineer: \_\_\_\_\_  
 Submitted to: \_\_\_\_\_  
 Submitted by: \_\_\_\_\_  
 Reference: \_\_\_\_\_

Approval: \_\_\_\_\_  
 Date: \_\_\_\_\_  
 Construction: \_\_\_\_\_  
 Unit #: \_\_\_\_\_  
 Drawing #: \_\_\_\_\_

**Dimensional Drawing - Indoor Unit**



Project Name: \_\_\_\_\_  
Location: \_\_\_\_\_  
Engineer: \_\_\_\_\_  
Submitted to: \_\_\_\_\_  
Submitted by: \_\_\_\_\_  
Reference: \_\_\_\_\_

Approval: \_\_\_\_\_  
Date: \_\_\_\_\_  
Construction: \_\_\_\_\_  
Unit #: \_\_\_\_\_  
Drawing #: \_\_\_\_\_

**Notes**

Std U.S. Warranty: 6yrs Compressor, 1yrs Parts, 1yr Limited Labor